



USER MANUAL

SF200 Adjustable Bed



Contents

Safety & Warnings	03
System & Parts Included	04
Bed Assembly	06
Remote Operation	08
Pairing Your Remote	09
Sync 2 TwinXL Beds	10
Bed Accessories	11
Troubleshooting	12
Warranty	14
Additional Information	15

Safety & Warnings

About Us

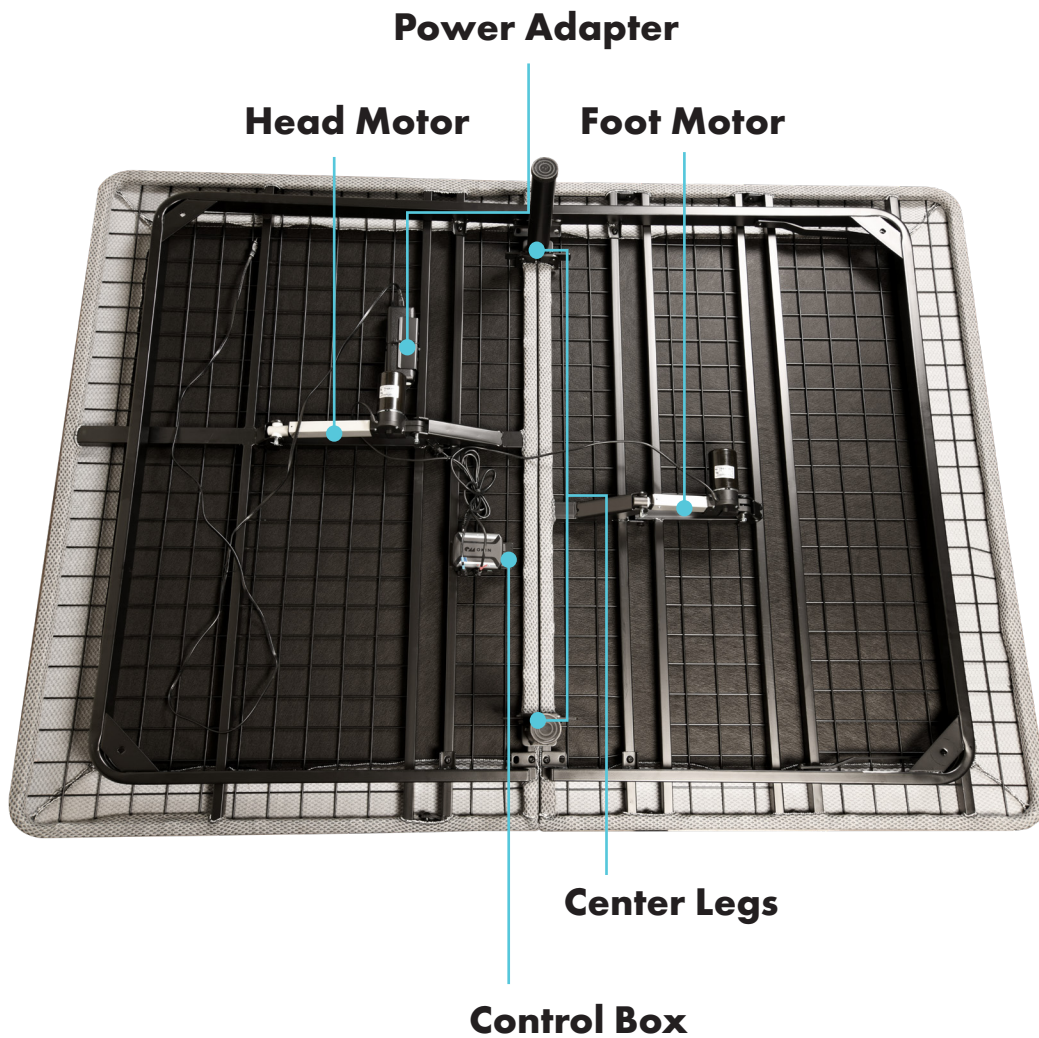
At Smart Flex, we want our reputation to rest comfortably on the dependability and safety of our products. In order to accomplish this, we ask that you, the end user, read this manual and observe the warnings and safety instructions provided throughout. Failing to do so will void the warranty of this product.

- 1.** This bed is for indoor use only.
- 2.** When bed is in motion keep your body within the confines of the bed to ensure no limbs become caught or pinched between moving parts.
- 3.** Keep liquids away from the bed to reduce risk of damage to electronic parts.
- 4.** Do not allow children or those with disabilities that require supervision to operate the bed unsupervised.
- 5.** Do not allow people or pets under the bed.
- 6.** Our bed and motors are designed to withstand up to 1000lbs of evenly distributed weight.
- 7.** The motors in this unit are not designed to operate continuously for more than 2 minutes in an 18 minute time span. Doing so will shorten the life of the motors and void the warranty.
- 8.** While our beds are beneficial to those with disabilities and special needs they do not comply with and are not approved by hospital standards and for residential use only.
- 9.** When using equipment that administers oxygen, route and secure all tubing and wires safely away from all moving parts of the bed to ensure tubing does not become entangled or damaged through normal use of the bed.
- 10.** Consult your physician if you have a pacemaker before using the massage features of bed. It is possible for a pacemaker to interpret the vibration of the massage feature as movement/exercise.

System & Parts Included

Getting to know your SF200

From this view we can see all the parts that make up the Smart Flex SF200. Let's take a closer look at the SF200 parts list.



Mattress Guard

The mattress guard locks into the bed preventing the mattress from moving or falling out while the bed is moving or once you have found your preferred setting.



Remote Control

The SF200 remote has a host of features we will go over later in the manual. It requires 2 AAA batteries.



Adjustable Legs

Our adjustable legs are comprised of two individual 4" sections and one 3" section allowing you to find the perfect height for your Smart Flex adjustable bed.



Power Adapter

Our power adapters have a compartment to house two 9-volt batteries (sold separately). In the event of a power outage the 9-volt battery backup will have enough power to get the bed back into the default lay flat position.



Bed Assembly

1.

Remove the bed from the packaging by cutting the taped edges of the box. After removing the bed from the box and the plastic wrap around it, lay the bed flat.



2.

After laying flat unfold the base. This will expose the remote, packaged leg box and mattress guards. Remove the remote, packaged leg box and foot guards by cutting their zip ties.



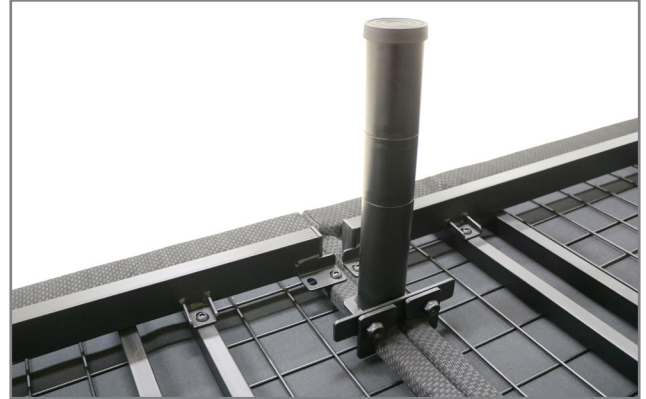
3.

After cutting the zip ties, remove the remote, legs and mattress guards from their boxes and packaging.



4.

The center legs are already attached and act as the connecting hinge for the bed. **DO NOT REMOVE** the bolts that connect the center leg. If you would like to change the height of the base simply unscrew the section of leg no longer needed and place the removable plastic foot cap on the exposed center leg

**5.**

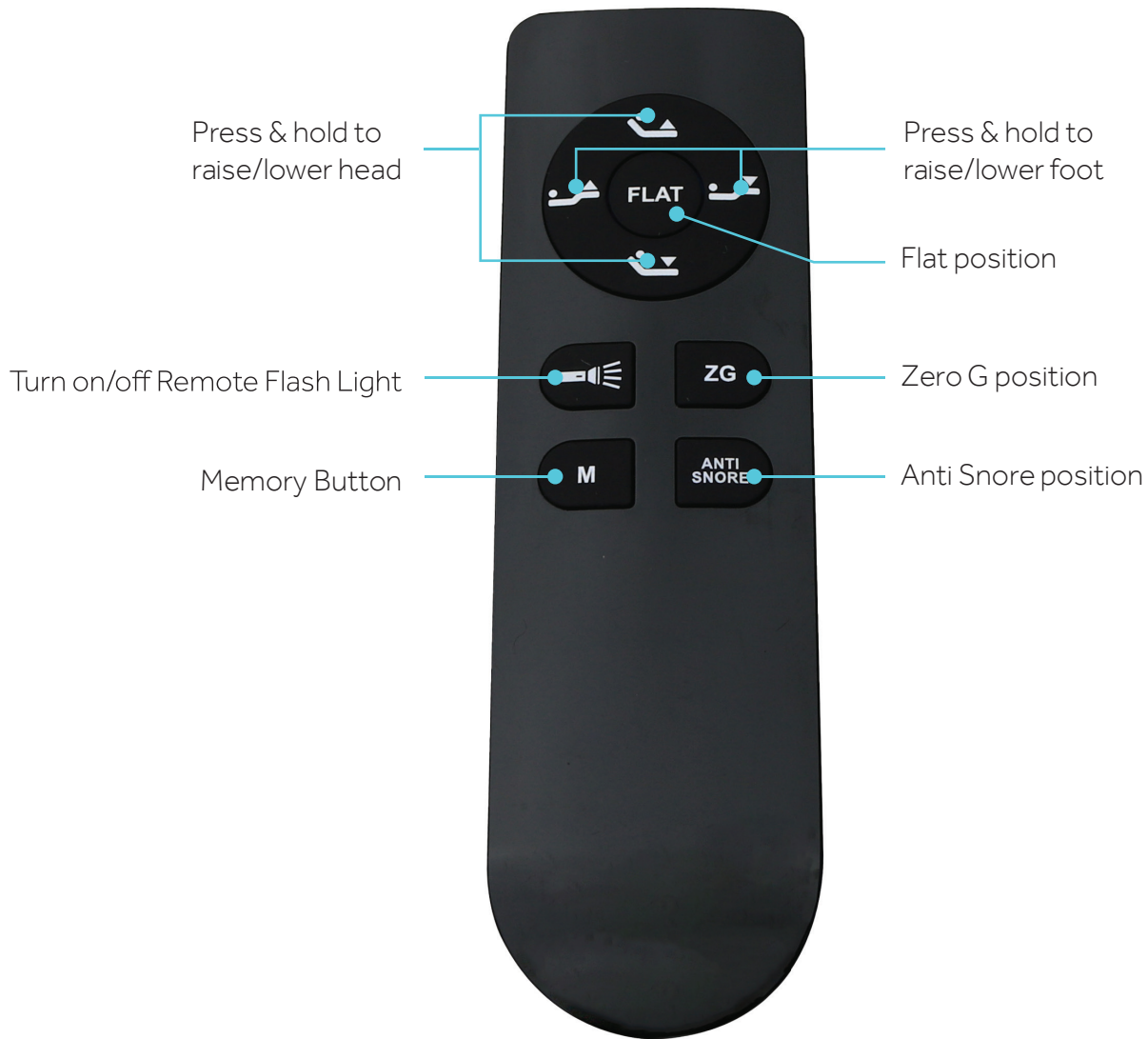
To attach the legs, remove the silver bolt from the end of the leg. Then place the bolt inside the square bolt hole in the frame and turn the leg clockwise on the bolt until tight and secure.

**6.**

After the legs have been attached assembly is now complete. Team lift the bed into the correct upright position. Attach the mattress guards into the correct sockets. Your Smart Flex adjustable bed is ready to use.



Remote Operation



Reset Remote to Factory Settings

To reset the remote control to factory settings, press and hold the FLAT & ZG buttons together for about 5 seconds.

Program Memory Button

To program the memory button, press and hold the M button for 5 seconds to save the current position.

Pairing Your Remote

Control Box Pairing Mode

First, on your SF200 control box, press the Pair Button twice very quickly in succession to enter pairing mode. You will know your control box is in pairing mode when the pair LED turns blue.



Remote Control Pairing Mode

Next on your SF200 remote, press and hold down the Head Up and Head Down buttons together for a few seconds and release. If done correctly the remote's back light starts flashing blue.



Test and Confirm

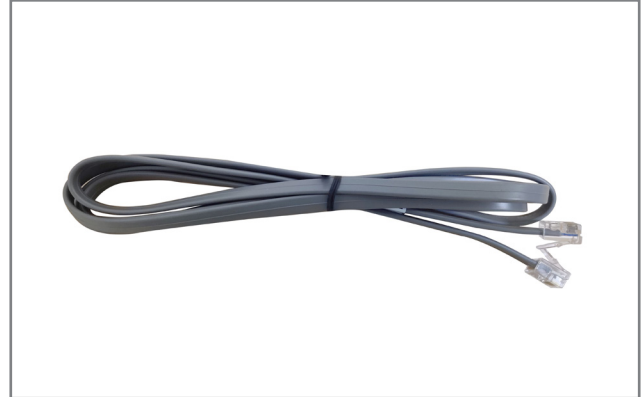
If done correctly the Pair LED on the control box will default back to green and the back light on the remote will stop flashing. Test the features of the bed by using the remote to confirm the pairing's success. If the remote can operate any function of the bed you will know the remote is paired correctly. If the remote can operate a feature of the bed but not another that is a good indicator that the feature the remote can not operate is not functioning properly and you should contact customer service. If the remote is still not operating the base repeat the above steps.



Sync 2 TwinXL Beds

Sync Cable

To sync two Twin XL beds into a Split King you will need to connect the sync cable that came with your Twin XL bed.



Connect to Control Box

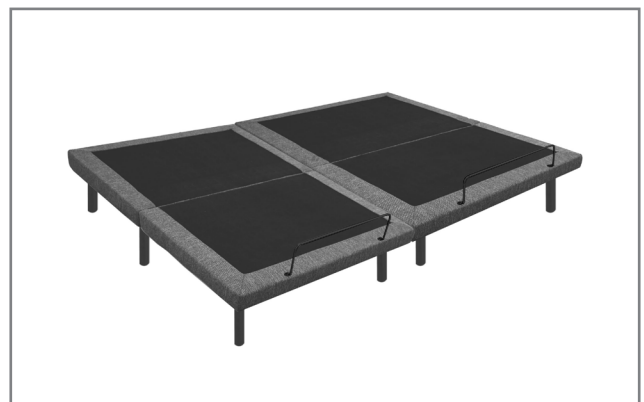
Simply connect one end of the sync cable to each one of your SF200 twin XL's control boxes in the Sync port.



Test and Confirm

The two individual twin XL beds now function as a one piece king size bed.

*Both previously paired remotes can be used to operate the bed



Bed Accessories (sold separately)

Leg Extensions Set

The Smart Flex Leg Extension Set adds a total of 3" of height to your base. Simply attach one segment to each leg of the base.



Headboard Bracket

The Smart Flex Headboard Bracket Adapter allows for your adjustable base to connect to a panel headboard. The brackets connect to the base via the legs under the head of the base and then bolting the face plates to the headboard.



Bed Connector Bracket

When using two Twin XL bases as a Split King you can connect the two beds together with a set of Smart Flex Base Connector Brackets to ensure the beds stay closely connected.



Troubleshooting

No Power

If there is no power, check to make sure all cords are plugged in properly and the power adapter is securely plugged into the power outlet. Test the outlet to ensure it has power.



Remote Not Functioning

If remote backlight LED will not light up test the batteries and replace as needed. If new batteries still will not power the remote contact customer service. If remote has power and can not operate the bed then the remote needs to be synced to the bed. (See pairing instructions on page 9)



Power Adapter

The power adapter has a battery compartment for two 9volt batteries to be connected in the case of a power outage so the bed can be returned to the default flat position. The bed will not operate on the power adapter alone as the two 9volt batteries only have enough charge to return the bed to the default flat position. If the LED power indicator will not light up on the power adapter, the power adapter needs to be replaced. Contact customer service.



Lift Motor Not Functioning

If there is no response from the head or foot motor ensure all cords are securely plugged in and the base has power. If motors will still not engage contact customer support.



Customer Support Contact Information

1-888-444-9888

info@smartflexusa.com

**623 Southwest Street,
High Point, NC 27260**

Warranty

If a potential issue with your product arises and you wish to make a claim, you must contact Smart Flex customer service at 1-888-444-9888 within 20 days of discovery of the issue. Please keep the original sales receipt that was received from the retailer at the date of purchase along with the model number for any warranty claim.

1. Warranties are non-transferrable and only given to the original purchaser of the Smart Flex Adjustable Base.
2. Your Smart Flex, Inc Adjustable Bed is warrantied against any defects of all parts and full labor for a period of five years starting from the date of purchase. The metal frame is covered by a lifetime warranty (20 years) starting from the date of purchase.
3. Warranty shall not apply if (1) the damage is caused by the purchaser, (2) there has been any repair or replacement done by an unauthorized person, (3) the adjustable base has been mishandled through physical or electrical abuse or misuse, or operated in an improper manner that is inconsistent with the instructions outlined in the SF30, SF50, SF200, SF300, SF500 and SF600 Instruction Manuals, (4) there is any costs for unnecessary service calls.

Date of purchase:

Place of purchase:

Serial & Model Number:

Additional Information

Bluetooth App. SF300 | 500 | 600

The Okin Smart Bed App for the SF300/500/600 are available for download in the Apple App Store and the Google Play Store. Please visit our website or contact us for more detailed bluetooth instructions.

Bed Height & Dimensions

Twin XL: 79" x 38" x 15"

Full: 74" x 54" x 15"

Queen: 79" x 59" x 15"

King: 79" x 76" x 15"

Smart Flex Wireless Remote Radio Frequency 2.4 Ghz

FCC compliance device complies with part 15 of the FCC Rules under these two conditions:

1. This device does not cause any harmful interference.
2. This device will accept any interference received., including interference causing undesired effect on the operation.



SF200 Adjustable Bed